

Interface PCB

Connector Accessory

PROCESSOR DSP AUDIO

252 SHEET 4

RECEIVER

246 GND RX-ANT SHEET 3

SYNTH-VCO

2922 GND SHEET 5

POWER-AMP

93 GND RX-ANT SHEET 2

VCO
sheet 6



| REV/ISS | AMENDMENTS | DRAWN | CHKD | D.O. | APVD | DATE |
|---------|------------------------------|-------|------|------|------|----------|
| 02B | PARTS ADDED TO SAVE POWER | | | | | 11/06/99 |
| 02B | GEN-NEW PASTE SCREEN FOR DEK | | | | | 02/06/99 |
| 02A | MINOR MOD TO CCT AND VALUES | | | | | 25/05/99 |
| 01A | NEW PA LINEUP | | | | | 12/02/99 |

TAIT ELECTRONICS

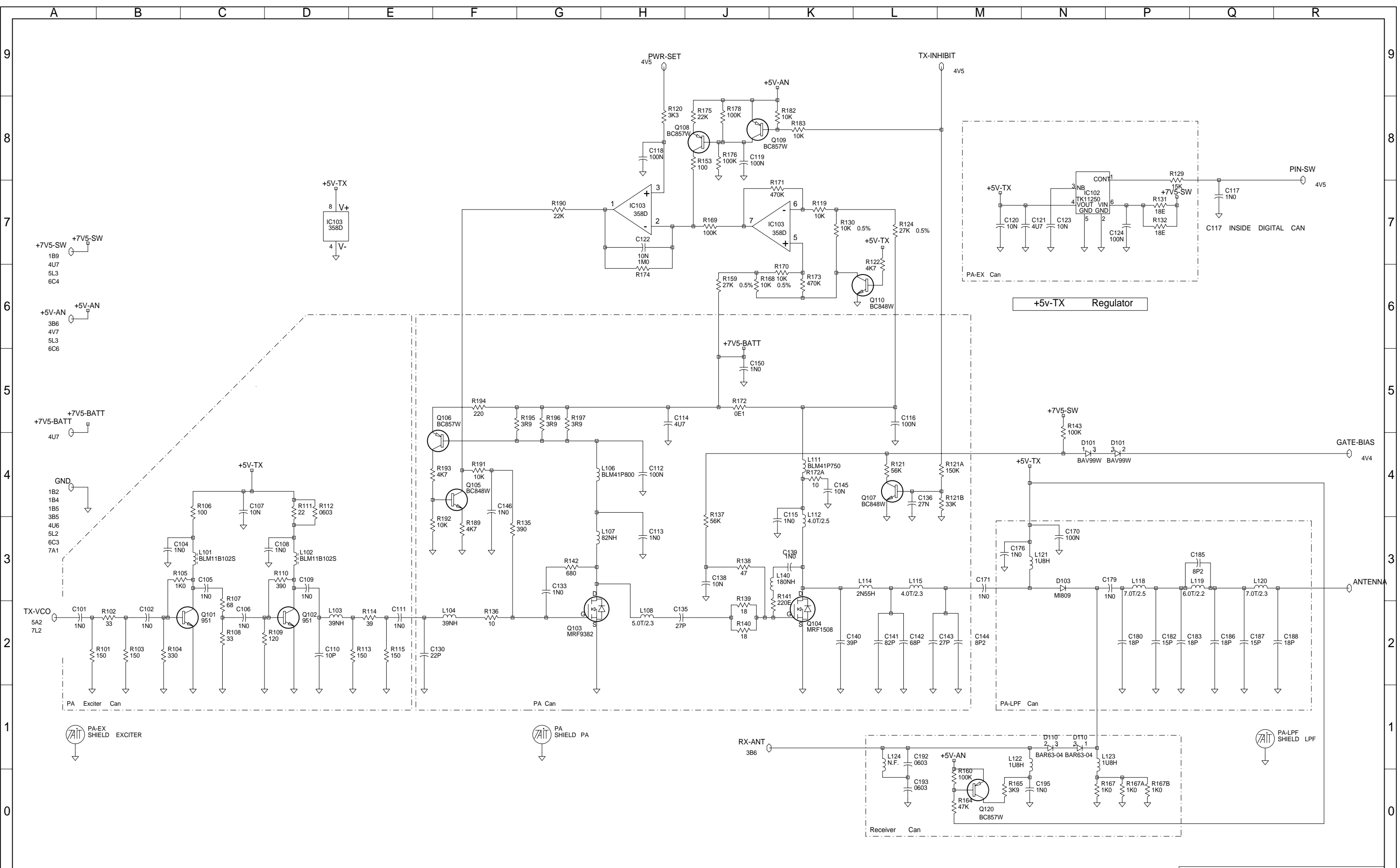
ORCA :TP010-3122 136-174MHZ
SYSTEM DIAGRAM

IPN: 220-01588-03 ISSUE: A ID: 2.S.C. 1

PROJECT: TAIT ORCA DESIGNER: BRD FILE NAME: 158803A FILE DATE: 12-08-99 NO.SHEETS: 7

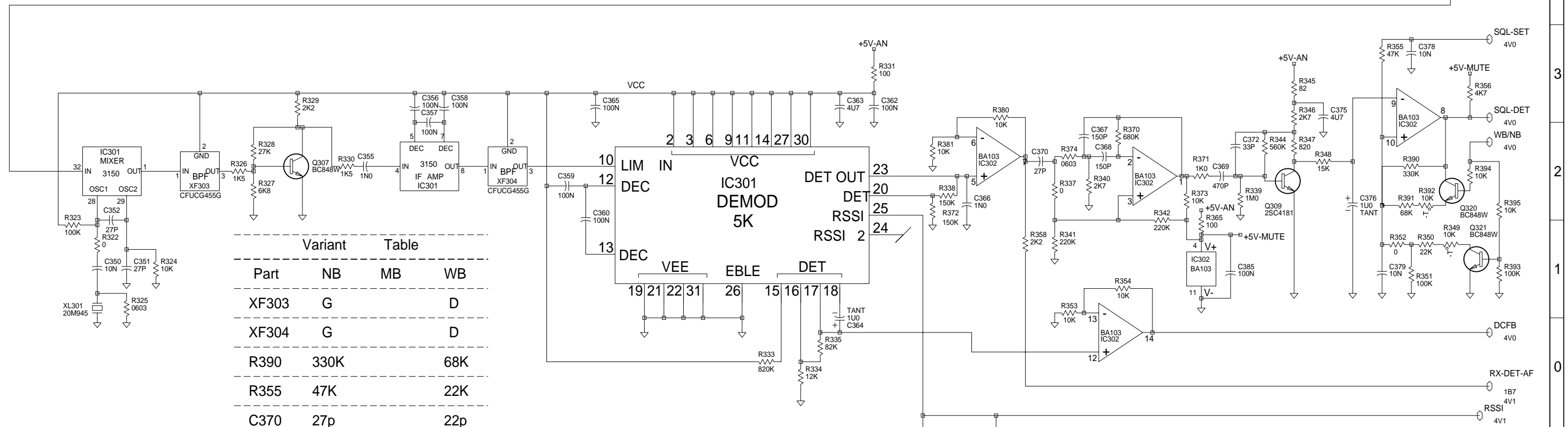
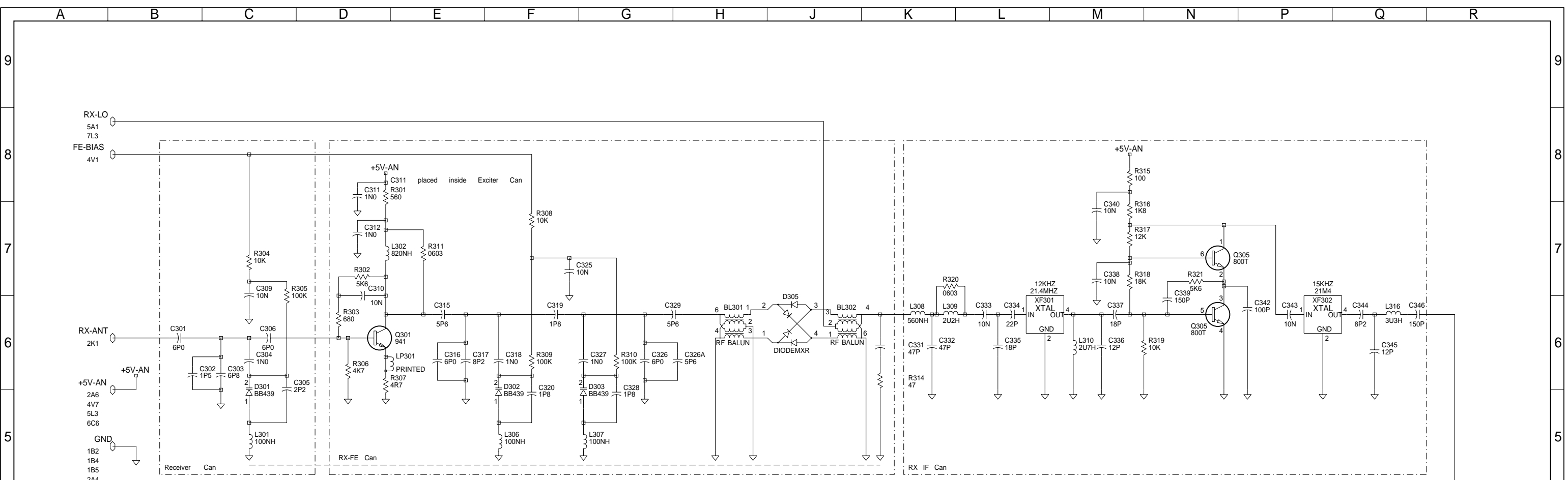
VHF

Tait Orca



| | | | | | |
|---------|----------------------|-------|------|------|-----------|
| 01A | NEW PA LINEUP (BC-S) | CJK | | | 12/02/99 |
| REV/ISS | AMENDMENTS | DRAWN | CHKD | D.O. | APVD DATE |

© TAIT ELECTRONICS
 ORCA :TP010-3122 136-174MHZ
 POWER AMPLIFIER
 IPN: 220-01588-03 ISSUE: A ID: 2.S.C. 2
 PROJECT: TAIT ORCA DESIGNER: BRD FILE NAME: 158803A FILE DATE: 12-08-99 NO.SHEETS: 7

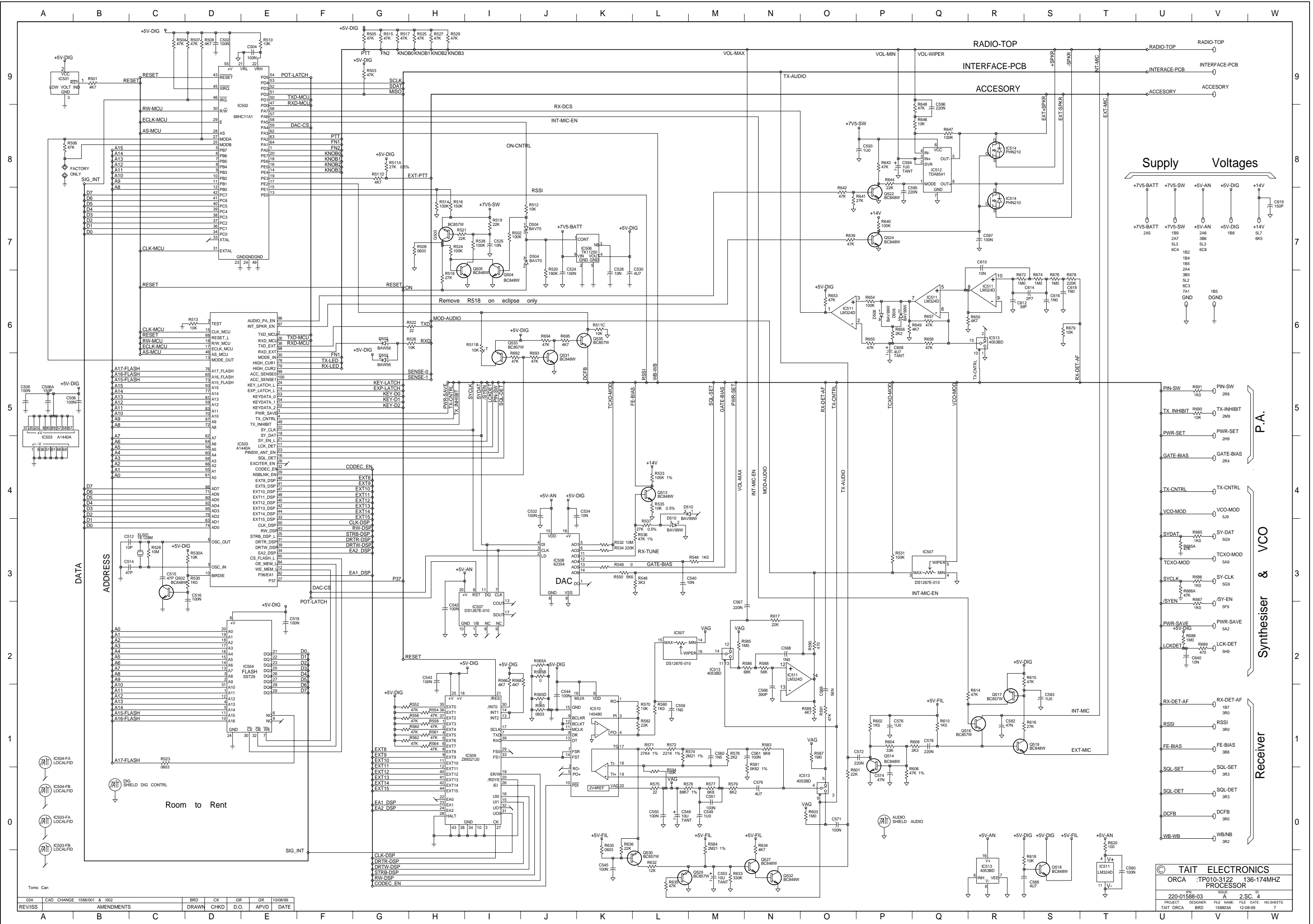


Variant Table

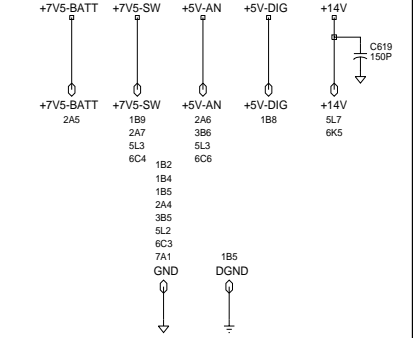
| Part | NB | MB | WB |
|-------|------|----|------|
| XF303 | G | | D |
| XF304 | G | | D |
| R390 | 330K | | 68K |
| R355 | 47K | | 22K |
| C370 | 27p | | 22p |
| C369 | 470p | | 330p |

TAIT ELECTRONICS
 ORCA :TP010-3122 136-174MHZ RECEIVER
 IPN: 220-01588-03 ISSUE: A ID: 2.S.C. 3
 PROJECT: TAIT ORCA DESIGNER: BRD FILE NAME: 158803A FILE DATE: 12-08-99 NO.SHEETS: 7

| | | | | | | |
|---------|------------|-------|------|------|------|----------|
| 01A | | CJK | | | | 12/02/99 |
| REV/ISS | AMENDMENTS | DRAWN | CHKD | D.O. | APVD | DATE |



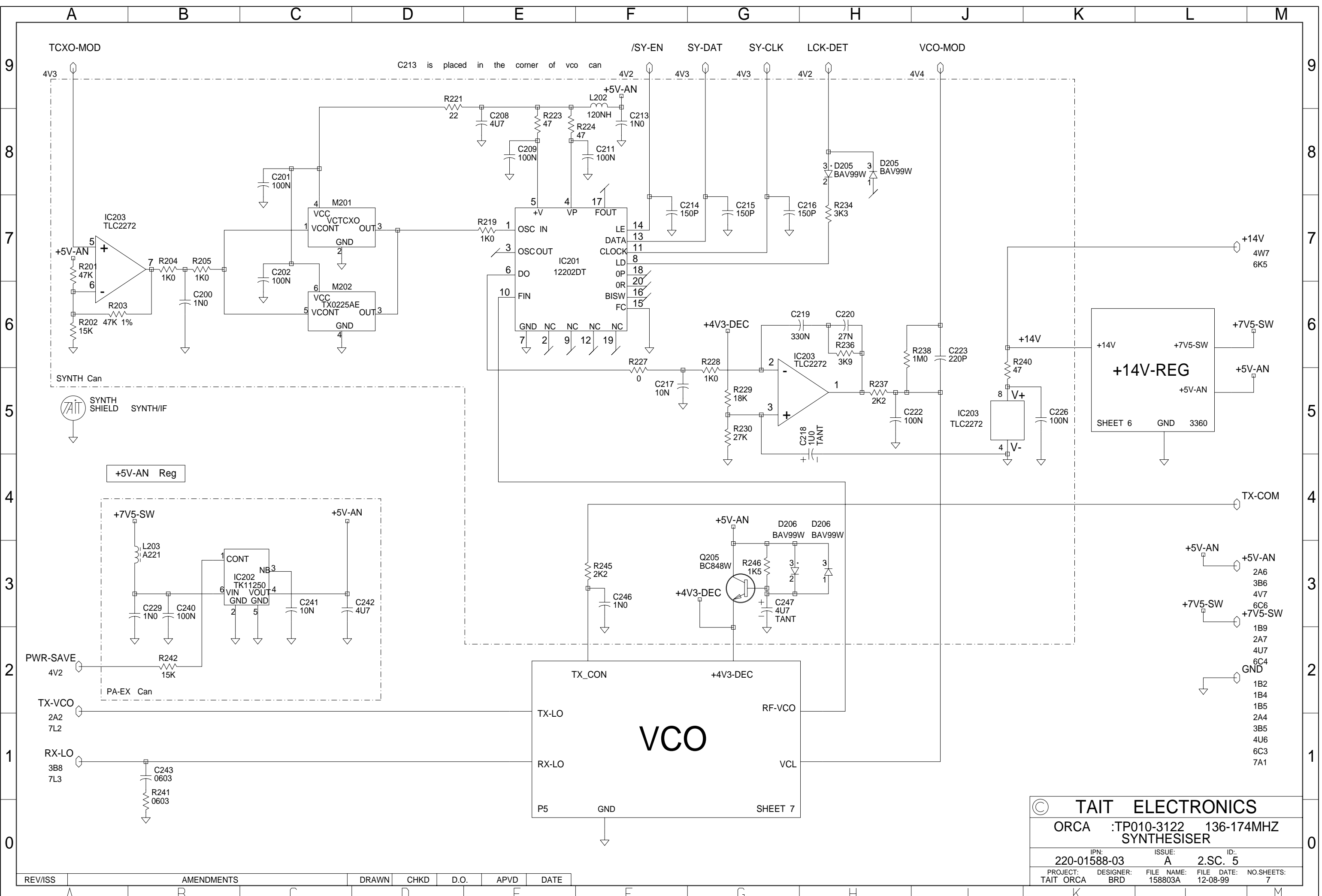
Supply Voltages



TAIT ELECTRONICS

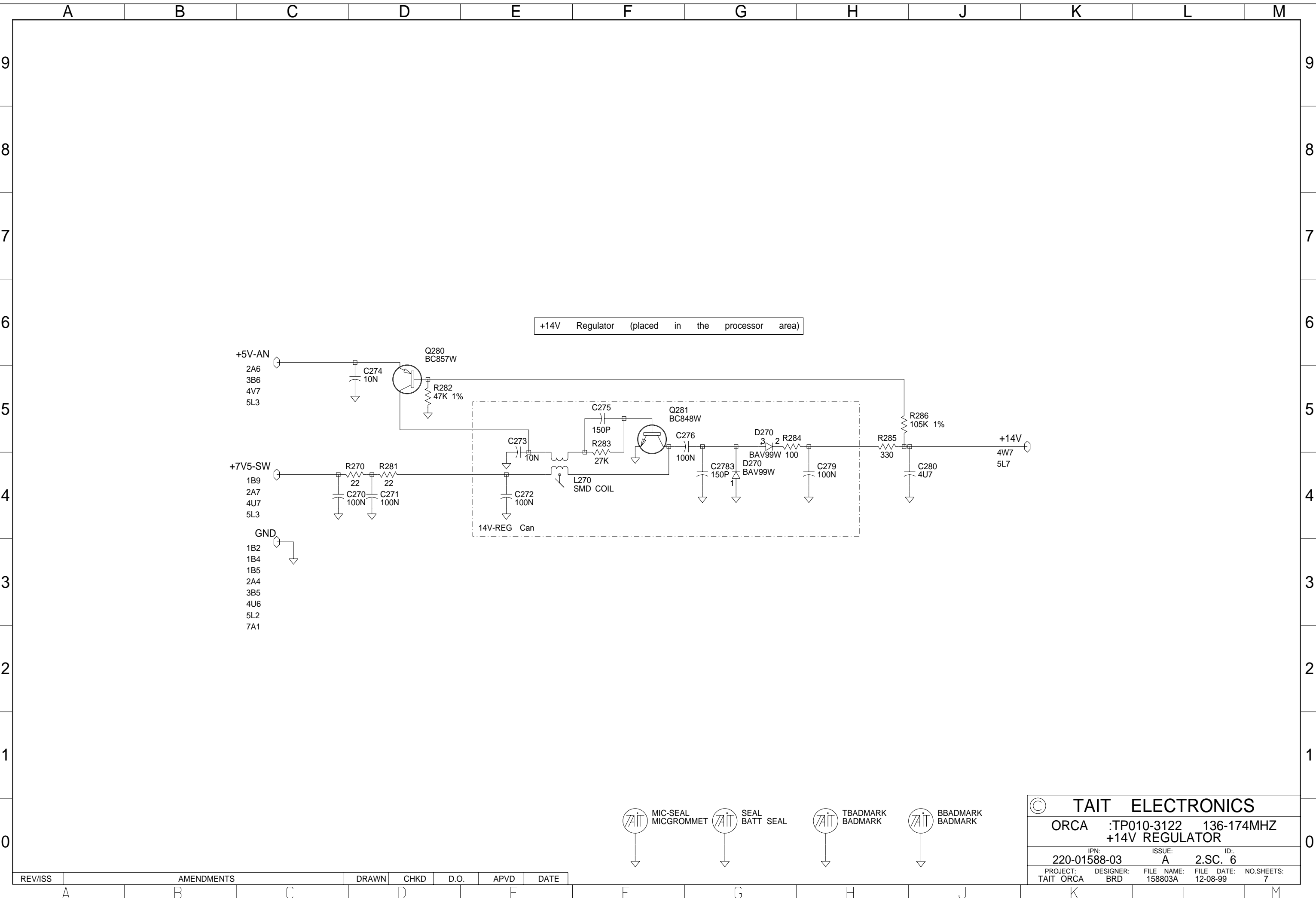
ORCA :TP10-3122 136-174MHZ
PROCESSOR
220-01588-03 A 2-SC 4
PROJECT DESIGNER FILE NAME FILE DATE NO SHEETS
TAIT ORCA BRD 158803A 12-09-99 7

| | | | | | | | |
|---------|------------|----------------|-------|------|------|------|----------|
| 03A | CAD CHANGE | 1588001 & /002 | BRD | CK | GR | GR | 10/08/99 |
| REV/ISS | AMENDMENTS | | DRAWN | CHKD | D.O. | APVD | DATE |



© TAIT ELECTRONICS
 ORCA :TP010-3122 136-174MHZ SYNTHESISER
 IPN: 220-01588-03 ISSUE: A ID: 2.SC. 5
 PROJECT: TAIT ORCA DESIGNER: BRD FILE NAME: 158803A FILE DATE: 12-08-99 NO.SHEETS: 7

| REV/ISS | AMENDMENTS | DRAWN | CHKD | D.O. | APVD | DATE |
|---------|------------|-------|------|------|------|------|
| | | | | | | |

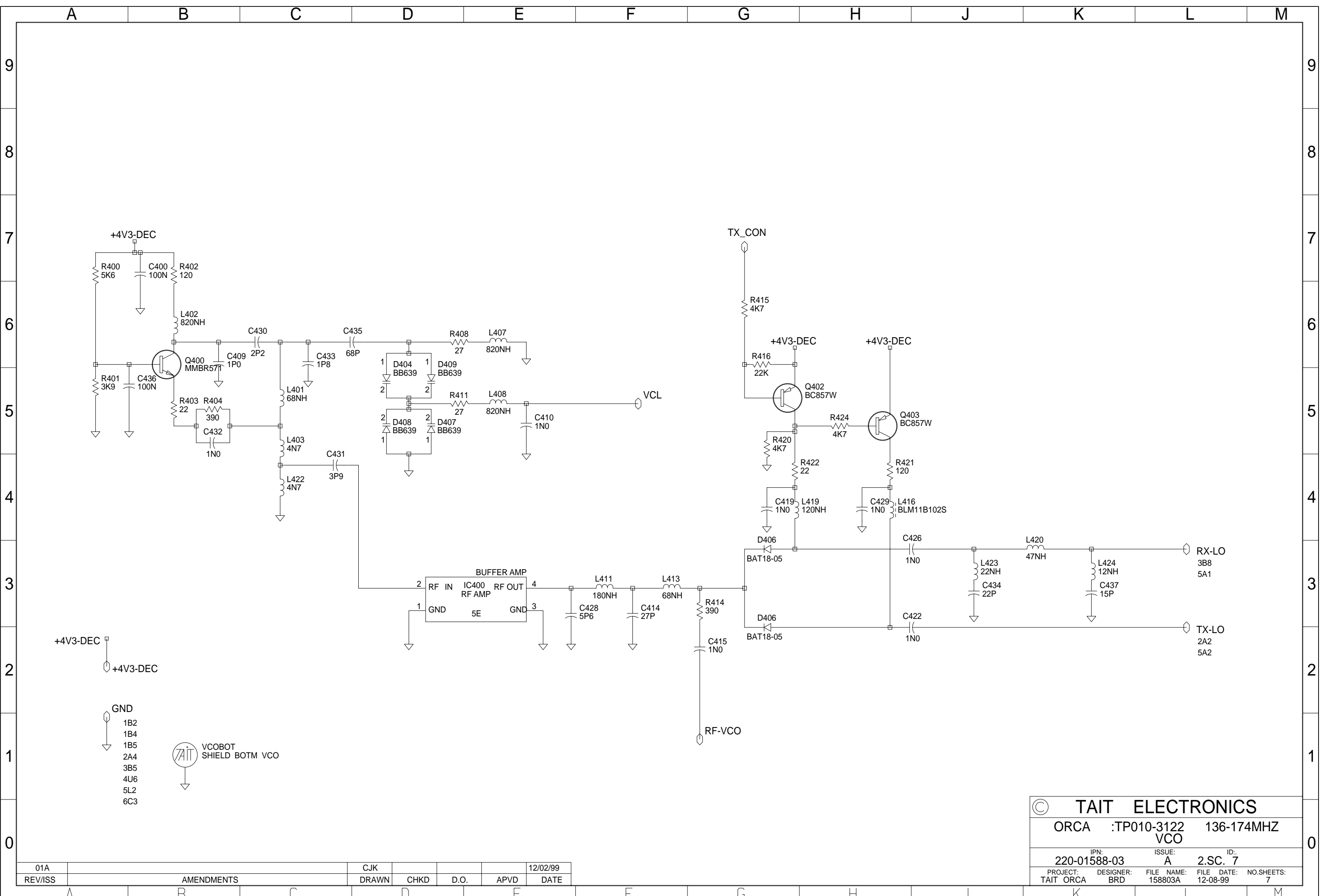


- GND**
- 1B2
 - 1B4
 - 1B5
 - 2A4
 - 3B5
 - 4U6
 - 5L2
 - 7A1

- MIC-SEAL MICGROMMET
- SEAL BATT SEAL
- TBADMARK BADMARK
- BBADMARK BADMARK

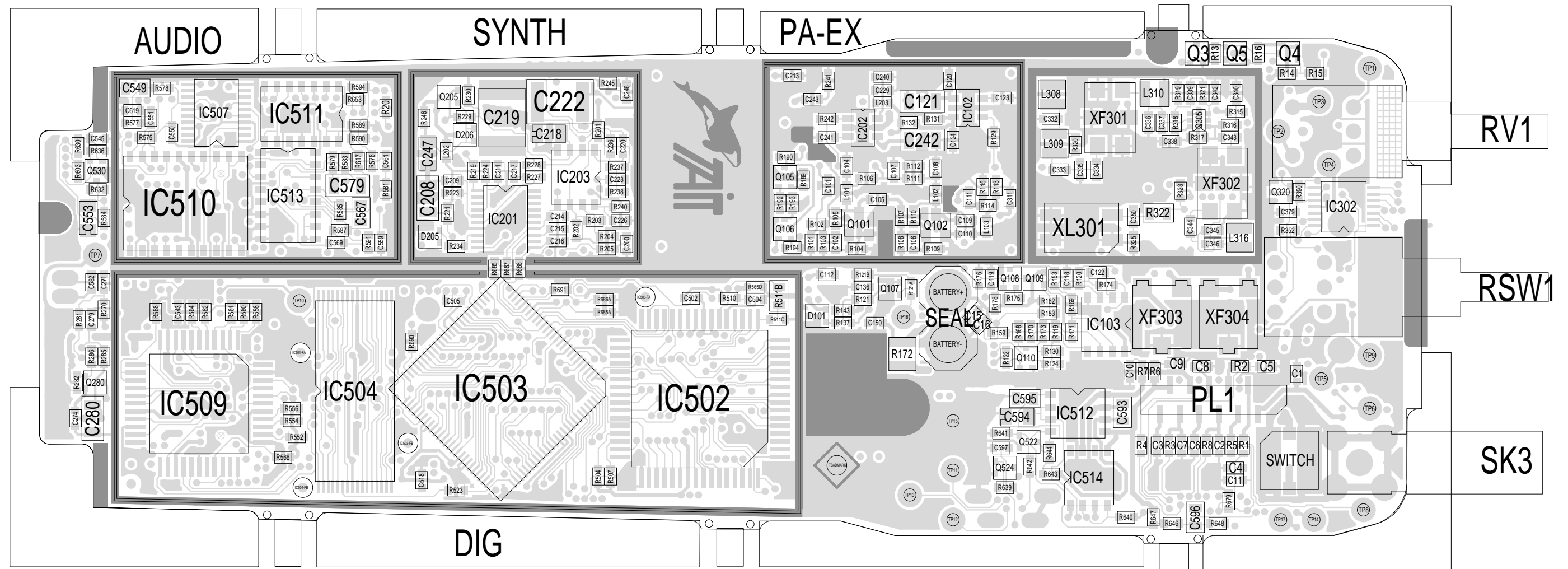
| | | | | |
|---------------------------|---------------|--------------------|---------------------|--------------|
| © TAIT ELECTRONICS | | | | |
| ORCA :TP010-3122 | | 136-174MHZ | | |
| +14V REGULATOR | | | | |
| IPN: 220-01588-03 | | ISSUE: A | ID: 2.SC. 6 | |
| PROJECT: TAIT ORCA | DESIGNER: BRD | FILE NAME: 158803A | FILE DATE: 12-08-99 | NO.SHEETS: 7 |

| REV/ISS | AMENDMENTS | DRAWN | CHKD | D.O. | APVD | DATE |
|---------|------------|-------|------|------|------|------|
| | | | | | | |

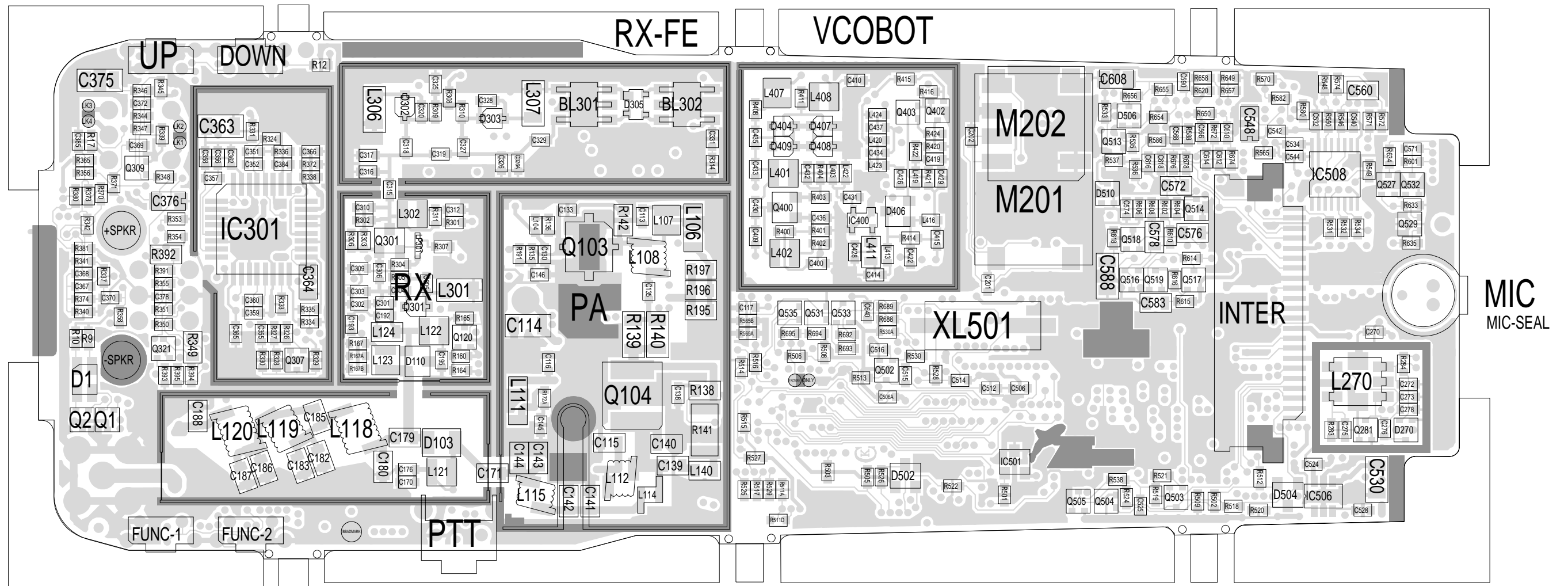


© TAIT ELECTRONICS
 ORCA :TP010-3122 136-174MHZ
 VCO
 IPN: 220-01588-03 ISSUE: A ID: 2.SC. 7
 PROJECT: TAIT ORCA DESIGNER: BRD FILE NAME: 158803A FILE DATE: 12-08-99 NO.SHEETS: 7

| | | | | | | |
|---------|------------|-------|------|------|------|----------|
| 01A | | CJK | | | | 12/02/99 |
| REV/ISS | AMENDMENTS | DRAWN | CHKD | D.O. | APVD | DATE |



TAIT ELECTRONICS IPN: 220-01588-03 ISS: -03A ID: 1.TA DATE: 12 Aug 1999
 ORCA VHF PCB LAYOUT - TOP SIDE



TAIT ELECTRONICS IPN: 220-01588-03 ISS: -03A ID: 6.BA DATE: 12 Aug 1999
 ORCA VHF PCB LAYOUT - BOTTOM SIDE

Scale: 2.3:1 ; Rotation: 0 degrees